

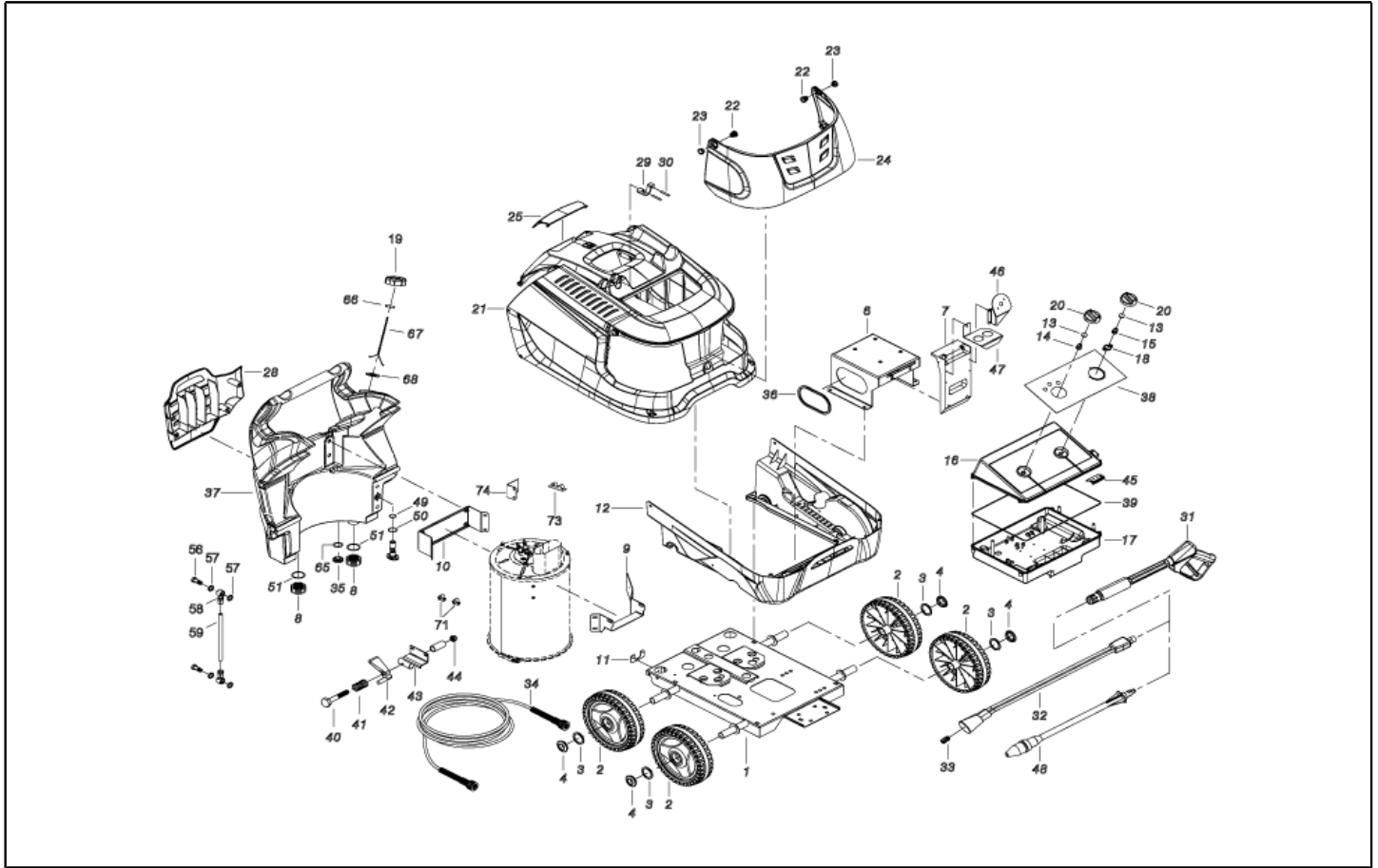


Spare Parts List

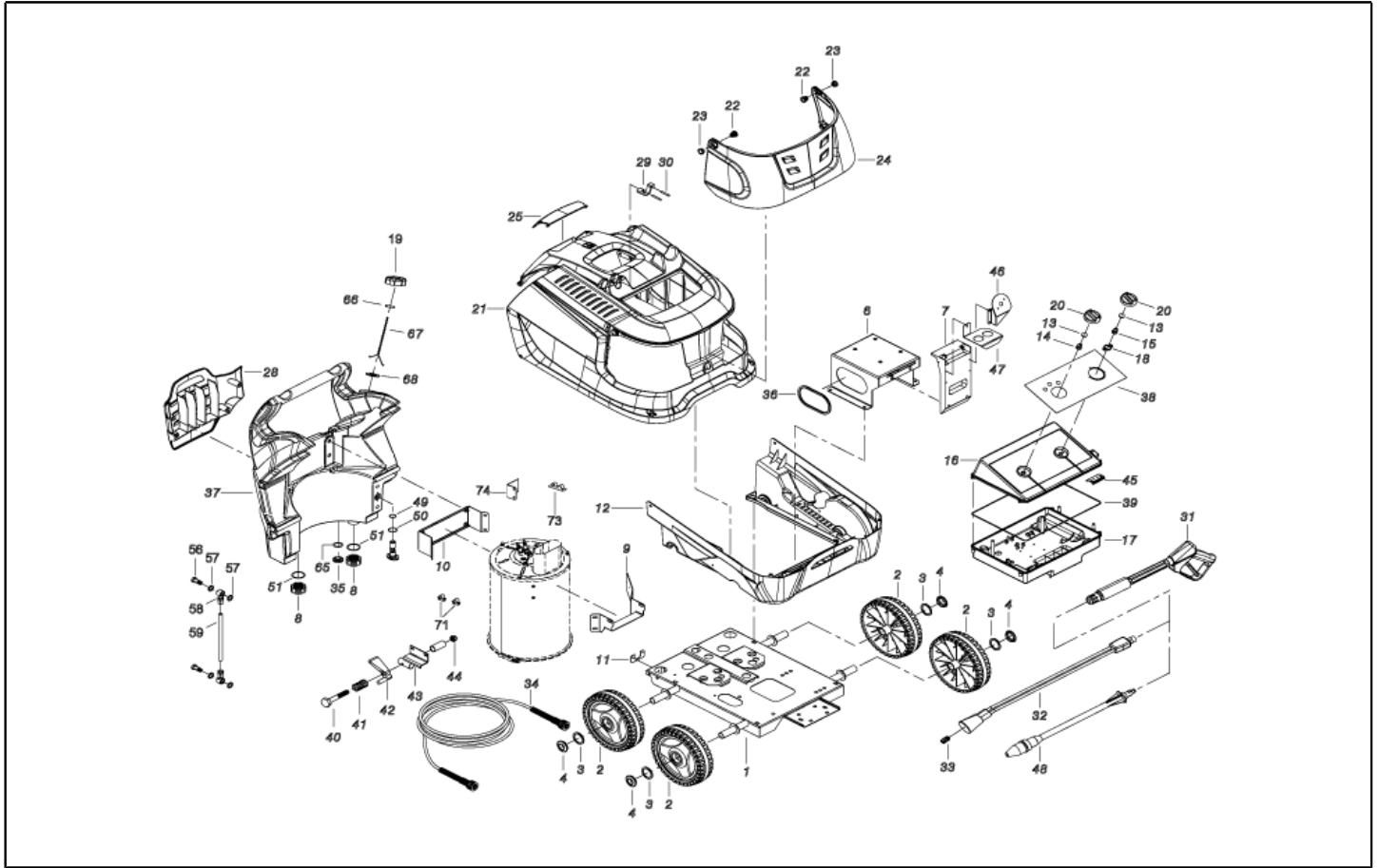
IP Cleaning Srl - Professional

Ref: IDAC41491

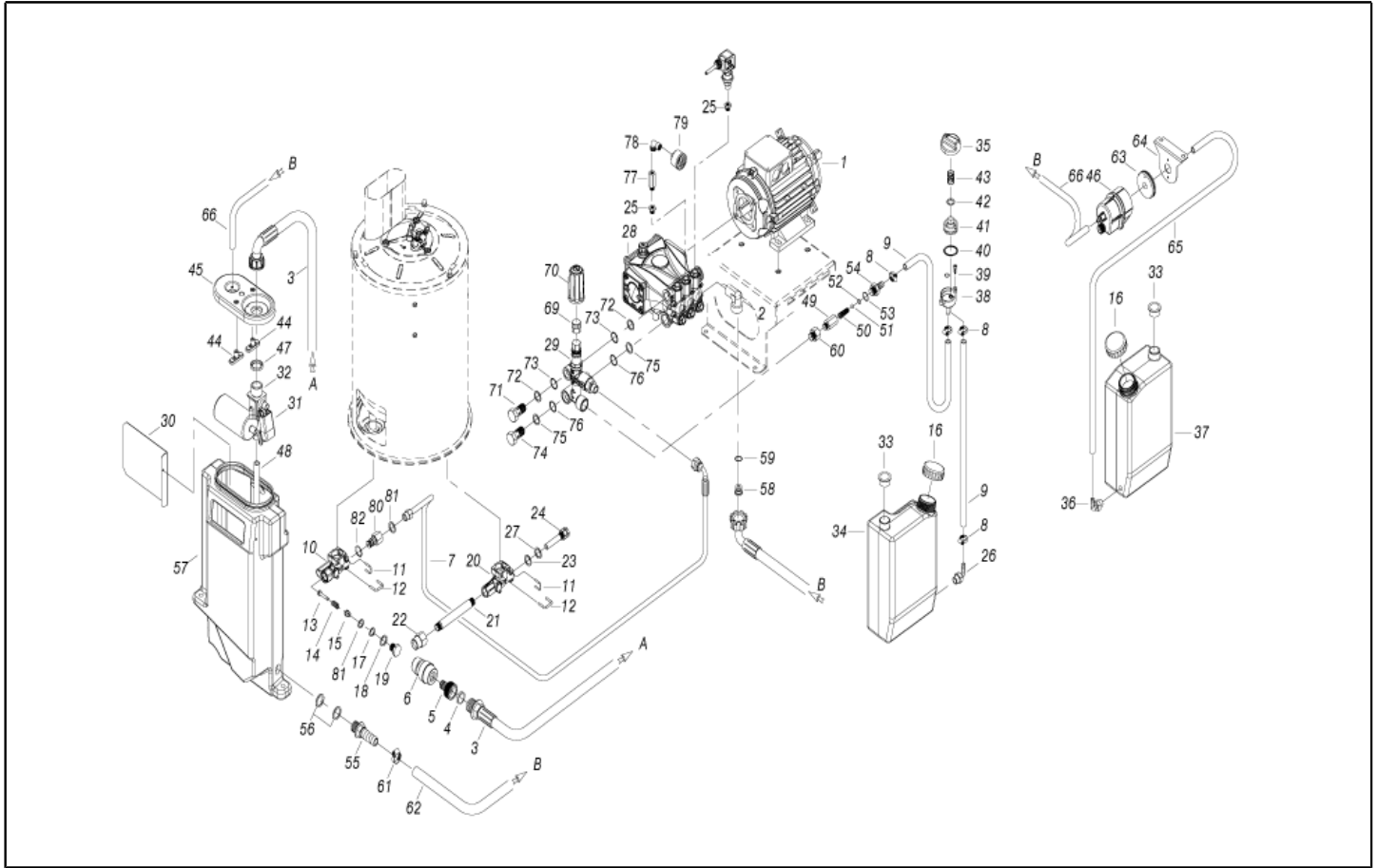
Model: H.P. CLEANER PW-H31/4 D1509P4M230/50DB



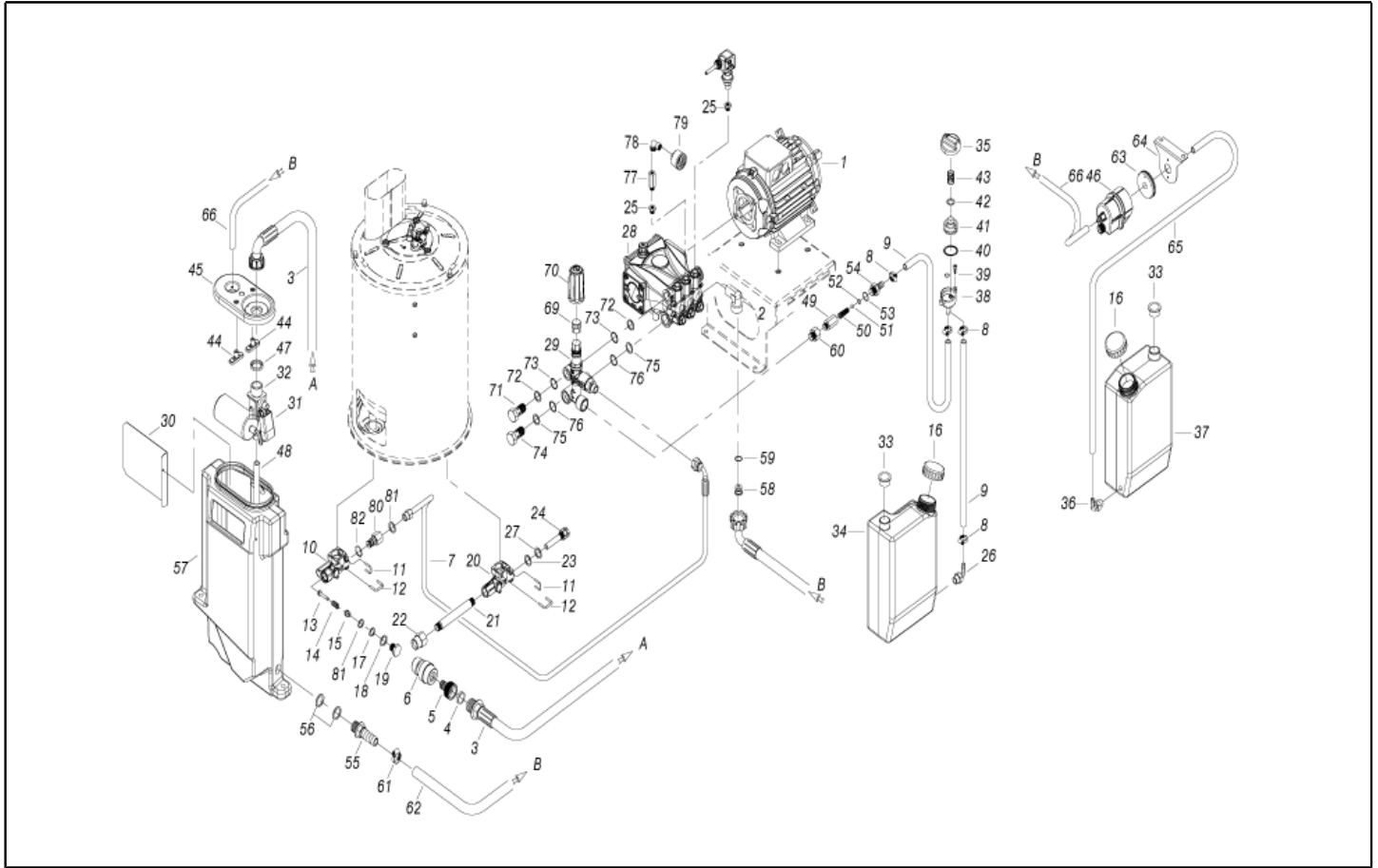
Ref. K	Part N.	Part N. 2	Description	Quantity	Validity		Price
					From	To	
0001	LAFN40998	N/A	TROLLEY PW-H28/4W BK. 2V.	1,00			--
0002	RTRT40068	N/A	WHEEL D.250-D.25X 65 IPC/2 GRN	4,00			--
0003	VTRS09813	N/A	WASHER D.25	4,00			--
0004	MPVR40734	N/A	HUB CAP D.50 G-48/IPC GR.368C	4,00			--
0006	LAFN40722	N/A	MOTOR SUPPORT PW-H28 3.0HP ZC.	1,00			--
0007	MPVR33534	N/A	BOX SUPPORT MST PA 66	1,00			--
0008	MPVR20187	N/A	RING NUT M 39 X 3	2,00			--
0009	LAFN40705	N/A	SUPPORT PW-H28 MPU ZC.	1,00			--
0010	LAFN40999	N/A	BRACKET PW-H28 MPU/2 ZC	1,00			--
0011	LAFN40707	N/A	BRACKET PW-H28 ZC	1,00			--
0012	MPVR40685	N/A	BLACK COVER PW-H28 INF.PP	1,00			--
0013	GUGO25527	N/A	O-RING D. 14 X 3 NBR 70SH	2,00			--
0014	MPVR23482	N/A	TAIL PIECE TEC. TUV	1,00			--
0015	MPVR23484	N/A	TAIL PIECE THERM.KSM TUV	1,00			--
0016	MPVR40809	N/A	BOX COVER PW-H28 ABS BK. C/F.Sc.Led	1,00			--
0017	MPVR40748	N/A	CONTROL BOX PW-H28/ADVANC. ABS BK.	1,00			--
0018	MPVR41903	N/A	THICKNESS TERM.IM.PA66	1,00			--
0019	MPVR40653	N/A	TANK CAP P176 PEHD RD. C/F.	1,00			--
0020	MPVR49057	N/A	BLACK KNOB P176-M.RACE PA6	2,00			--
0021	MPVR41233	N/A	GREEN COVER PW-H31 SUP.PP GR.368C	1,00			--
0022	MPVR41230	N/A	PIN PW-H61 INT.PP BK	2,00			--
0023	MPVR41229	N/A	PIN PW-H61 EST.PP BK	2,00			--
0024	MPVR41234	N/A	DOOR PW-H31 PPL BK	1,00			--
0025	MPVR41235	N/A	DOOR PW-H31 PT.PPL BK	1,00			--
0028	MPVR40688	N/A	TOOL HOLDER PW-H28 PP BK.	1,00			--
0029	MPVR40485	N/A	RUBBER PW-H35 15-20BK.	1,00			--
0030	MPVR40534	N/A	PIN PW-H35 PP BK.	2,00			--
0031	IPIP40022	N/A	GRIP G 6000+AT.AR4-K +SW.M 2V.	1,00			--
0032	LCLC40008	N/A	LANCE SF-IX/PU 900 +AR3-K +1/4F	1,00		14/10/2023	--
0032	LCLC40035	N/A	LANCE SF-IX/PU 900 +AR3-K+1/4 F	1,00	15/10/2023		--
0033	UGLN49985	N/A	NOZZLE LECH 1/4 1503	1,00			--
0034	TBAP40308	N/A	H.P. HOSE 1/ 4 250B 10MT 2 IRV 150°	1,00			--
0035	PVVR11806	N/A	DISCHARGE CAP FLL	1,00			--
0036	GUVR13437	N/A	EDGE H=10	0,43			--
0037	MPVR40747	N/A	TANK PW-H28/Jpn PE BK.	1,00			--
0038	ETET41551	N/A	LABEL PW-H31 POLIC	1,00			--
0039	GUGO33675	N/A	JOINT MOUSSE D. 4	1,30			--
0040	VTVT14480	N/A	SCREW TE M 8X80 ZINC. UNI	1,00			--
0041	MLML11917	N/A	SPRING D. 14.5 X24 X2.2	1,00			--
0042	MPVR40751	N/A	TRIGGER H28/4W	1,00			--
0043	LAFN40713	N/A	BRACKET PW-H28/4W BK.	1,00			--
0044	VTDD00492	N/A	NUT M 8 ZINC	1,00			--
0045	LAFN46067	N/A	SUPPORT L.60 P176	1,00			--
0046	LAFN40721	N/A	SUPPORT PW-H28 ZC	1,00			--



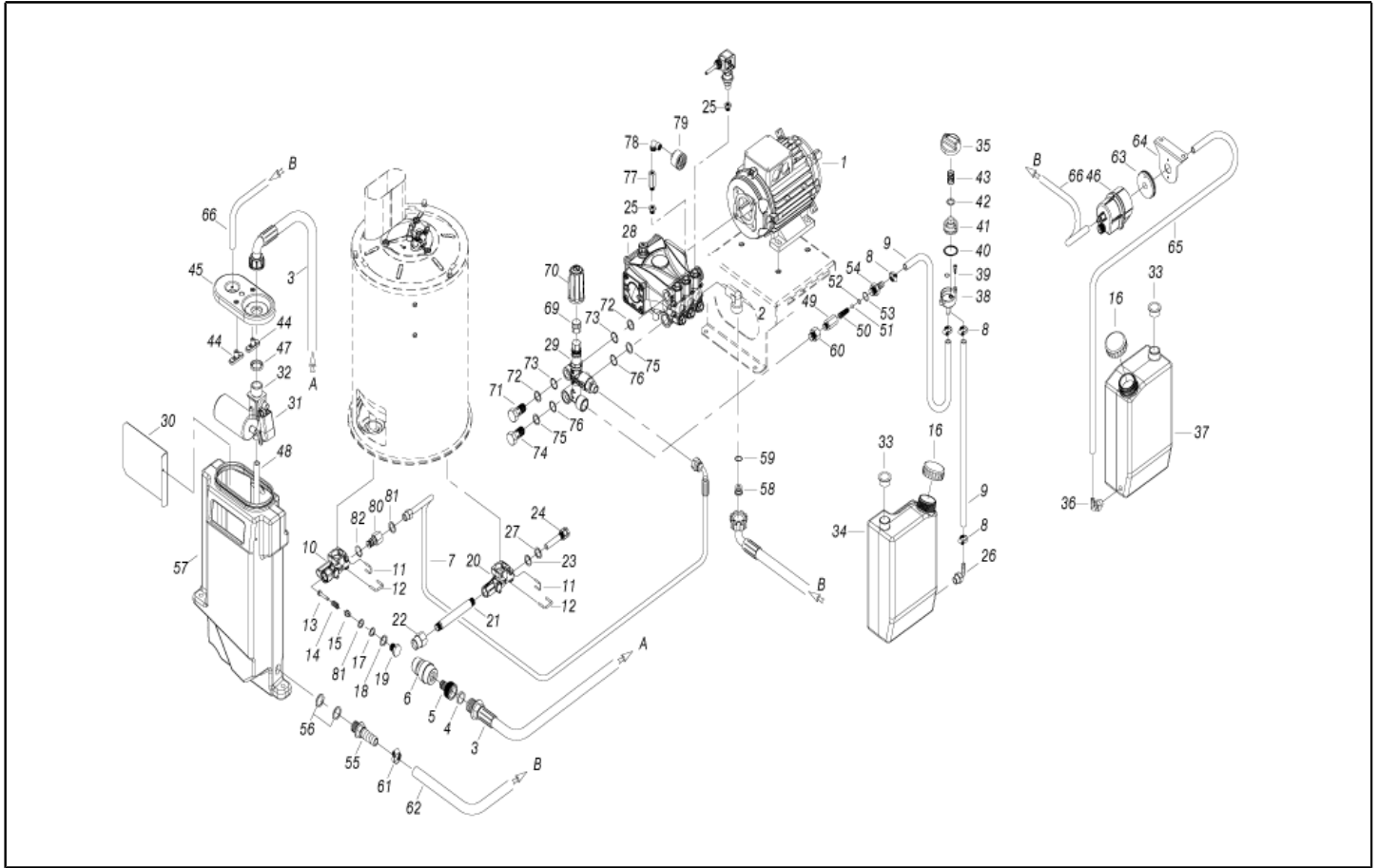
Ref. K	Part N.	Part N. 2	Description	Quantity	Validity		Price
					From	To	
0047	LAFN41337	N/A	BRACKET PW-H28 2V. ZC.	1,00			--
0049	GUGO01056	N/A	O-RING D. 18.72 X 2.62 NBR 70SH	1,00			--
0050	GUGO01197	N/A	O-RING D. 22.22 X 2.62 NBR 70SH	1,00			--
0051	GUGO40074	N/A	O-RING D. 37.47 X 5.34 NBR 70SH	2,00			--
0056	RCVR40079	N/A	SCREW G 1/8 L= 28	2,00			--
0057	GUGO40012	N/A	GASKET D. 9- 16 X 2 VITON	4,00			--
0058	RCVR40127	N/A	CONNECTOR 1/8" D. 6/ 8 NIK	2,00			--
0059	TBBP15347	N/A	L.P. HOSE D. 6- 8 RILSAN NT.	0,23			--
0065	GUGO11489	N/A	GASKET D.22X1,5	1,00			--
0066	LAFN40498	N/A	PIN D. 6 X 12-15 IX	1,00			--
0067	VTVR40026	N/A	SMALL CHAIN 13MG. INX L=220 G.V-MSC.	1,00			--
0068	VTRS07728	N/A	WASHER D. 6 INX	1,00			--
0071	MEVR40294	N/A	CLIP HE.TYTON	2,00		30/06/2023	--
0073	MEVR40326	N/A	CLIP D. 6.00 DB. BK	2,00	01/07/2023		--
0073	MEVR40027	N/A	CLIP D. 6.35 DB.	1,00		30/06/2023	--
0074	LAFN41325	N/A	BRACKET MPU-26/H28 ZC	1,00			--



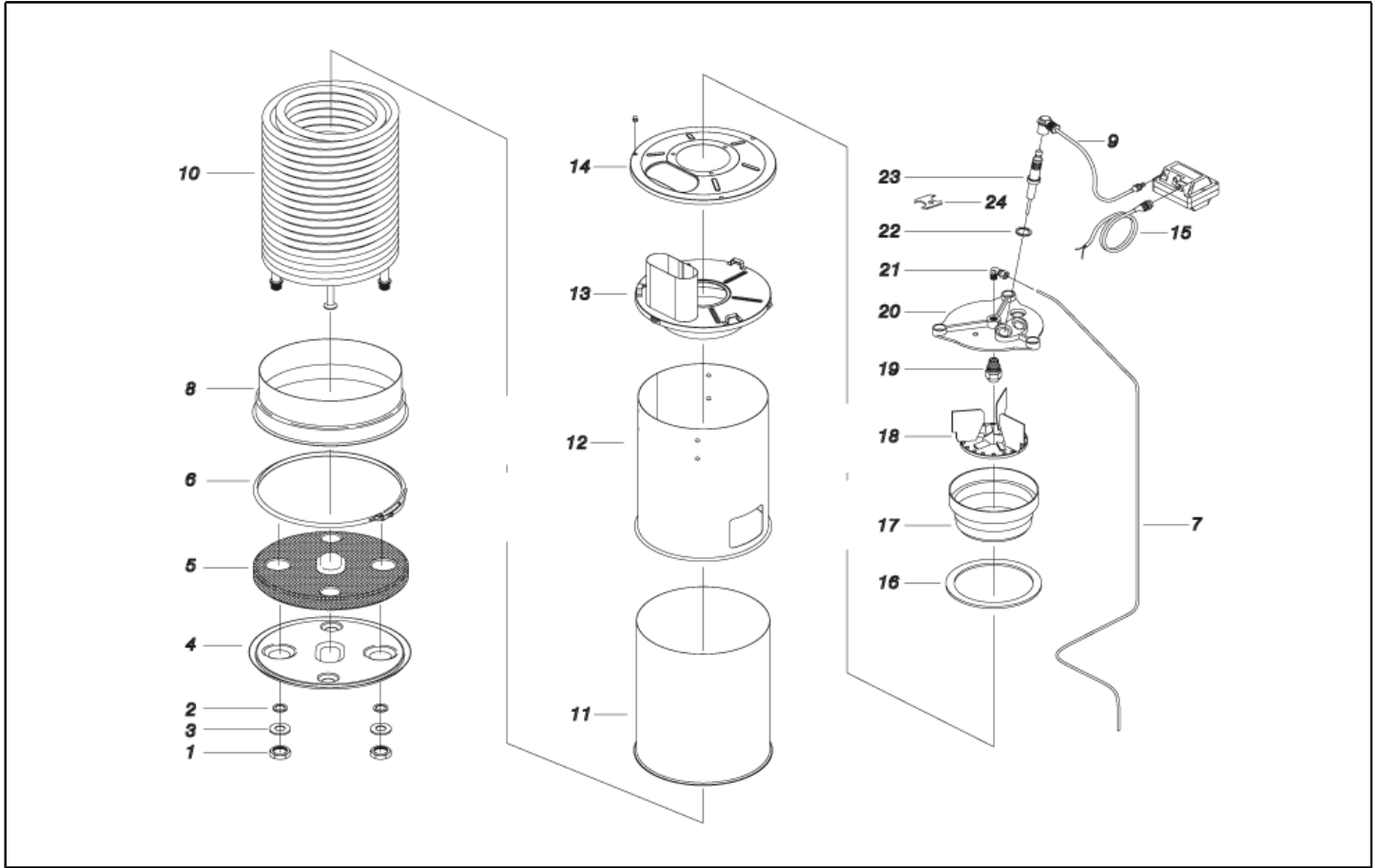
Ref. K	Part N.	Part N. 2	Description	Quantity	Validity		Price
					From	To	
0001	MOMO40045	N/A	1PH MOTOR H35 HP 3 230-50 4P E-k	1,00		31/01/2024	--
0001	MOMO40094	N/A	1PH MOTOR H35 HP 3 230-50 4P k-H	1,00	01/02/2024		--
0002	RCVR40153	N/A	ELBOW 3/4"-1/2" M OT.	1,00			--
0003	TBBP40085	N/A	L.P. HOSE L=1060 3/4F90°-3/4M 0°	1,00			--
0004	FTDT12702	N/A	FILTER PA	1,00			--
0005	RCVR29600	N/A	SOCKET PTC 3/4 F	1,00			--
0006	RCVR29602	N/A	CONNECTOR D. 1/2"-5/8" PTC	1,00			--
0007	TBAP40290	N/A	HOSE-FITTING 1/4 L=725 210b 3/8F90	1,00			--
0008	FSVR00427	N/A	CLAMP D. 12 CLIC 66-110	2,00			--
0009	TBBP00051	N/A	DETERGENT HOSE D. 6-12	0,65			--
0009	TBBP00051	N/A	DETERGENT HOSE D. 6-12	0,35			--
0010	S MFVR40062	N/A	CONNECTOR PW-H28 AL. INL.	1,00		31/12/2021	--
0010	S MFVR40099	N/A	CONNECTOR PW-H28 AL. INL. 2V.	1,00	01/01/2022		--
0011	LAFN37625	N/A	PLUG "U" T-STOP PRM INX	2,00			--
0012	LAFN87846	N/A	PLUG "U" P191 INX	2,00			--
0013	S RCDS40215	N/A	SMALL PISTON V.SC. P191/200 OT.	1,00			--
0014	S MLML40035	N/A	SPRING D. 8.8X21 X2.5 INX	1,00			--
0015	S RCDS40214	N/A	BUSHING V.SC. P191/200 OT.	1,00		14/07/2017	--
0015	S RCDS40263	N/A	BUSHING V.SC. P191/200 2V. OT.	1,00	15/07/2017		--
0016	MPVR40756	N/A	TANK CAP KSM C/F.	1,00			--
0016	MPVR40756	N/A	TANK CAP KSM C/F.	1,00			--
0017	S GUGO37529	N/A	O-RING D. 5.23 X 2.62 NBR 70SH	1,00			--
0018	S GUGO25527	N/A	O-RING D. 14 X 3 NBR 70SH	1,00			--
0019	S RCDS87757	N/A	VALVE TAP P191 OT.	1,00			--
0020	MFVR40101	N/A	CONNECTOR PW-H28 AL. OUT. 2V.+Fr.	1,00			--
0021	RCDS40210	N/A	CONNECTOR L= 58 2X3/8M CN. ZC.	1,00			--
0022	RCIN03753	N/A	MALE COUPLING M22-3/8 M-FA	1,00			--
0023	GUGO27030	N/A	O-RING D. 6 X 3 VIT 70SH	1,00			--
0024	RCDS40211	N/A	SUMP PW-H28 D.15 OT.	1,00			--
0025	PVVR40183	N/A	CAP AR RC C/F. 1/8F+OR	1,00			--
0026	RCVR89548	N/A	HOSE FITTING "L" 1/8M D.7 OT.NK	1,00			--
0027	VTRS40025	N/A	WASHER D. 6.6X11.75X2 OT.	1,00			--
0028	PPAP40101	N/A	PUMP RC 8.15 DX ND	1,00			--
0029	VVAZ40079	N/A	VALVE VRF-2 AR-R PP R S/I.	1,00			--
0030	LAFN40732	N/A	PANEL PW-H28 INX	1,00			--
0031	RCGR40032	N/A	FLOATER MTM FV1-V 3/4 PP. S/F.	1,00	01/11/2023		--
0031	RCGR60703	N/A	FLOATER MTM 3/4 PP. S/F.	1,00		31/10/2023	--
0032	MPVR88419	N/A	ADAPTER P245 PA6 BK.	1,00		31/10/2023	--
0033	MPVR18582	N/A	CAP D.22	1,00			--
0033	MPVR18582	N/A	CAP D.22	1,00		31/01/2019	--
0033	MPVR40994	N/A	CAP D.31	1,00	01/02/2019		--
0034	MPVR40706	N/A	TANK PW-H28 PEHD NT.	1,00			--
0035	MPVR25533	N/A	GREY KNOB PRT-AC	1,00			--
0036	RCVR40151	N/A	HOSE FITTING "L" 1/8M D.5 OT.NIK	1,00			--



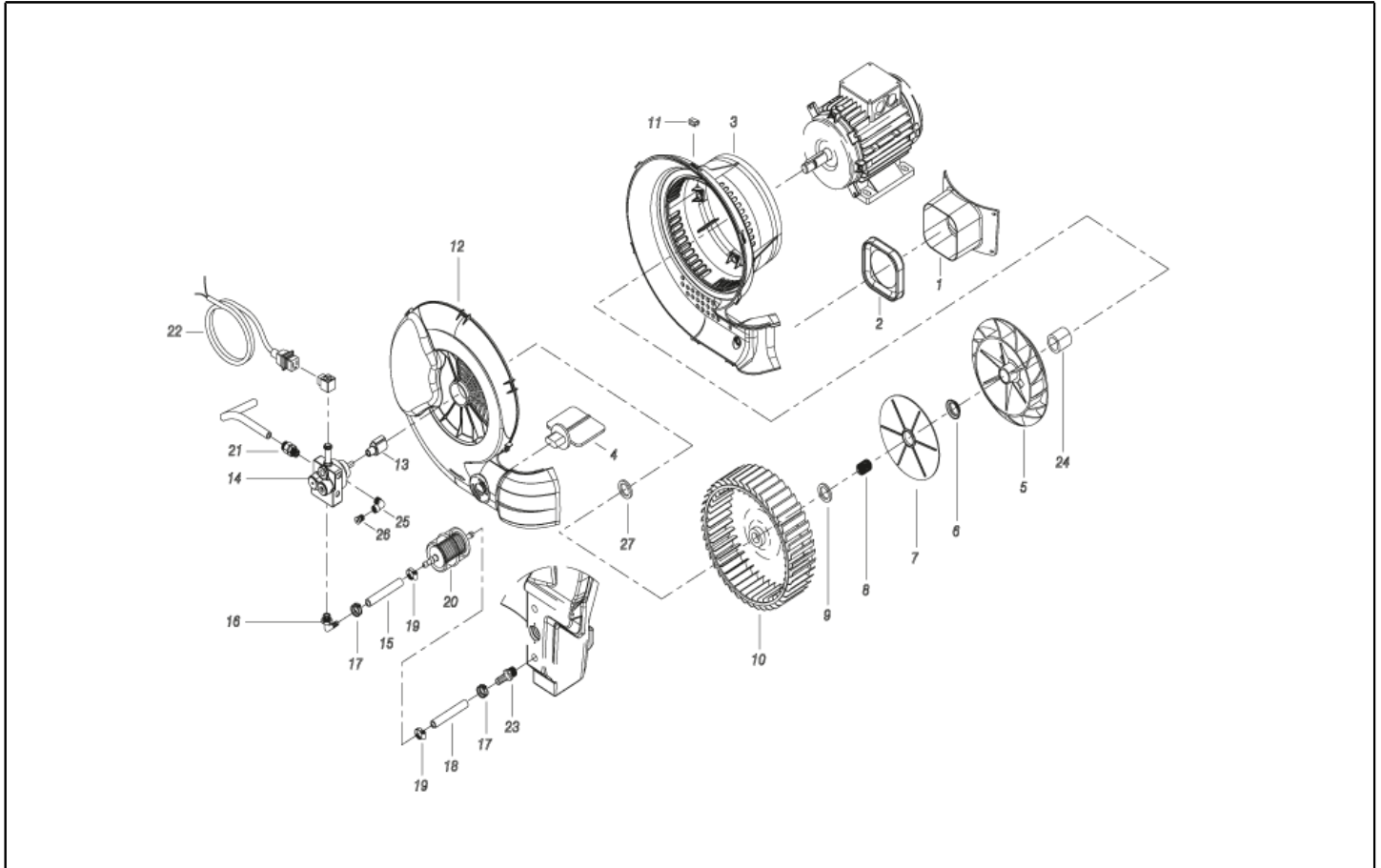
Ref. K	Part N.	Part N. 2	Description	Quantity	Validity		Price
					From	To	
0037	MPVR40707	N/A	TANK PW-H28 PEHD NT.	1,00		31/01/2019	--
0037	MPVR40990	N/A	TANK PW-H28 PEHD NT. 2V.	1,00	01/02/2019		--
0038	RCGR08069	N/A	TAP BODY DET. PRT	1,00			--
0039	GUGO08071	N/A	O-RING D. 4.48 X 1.78 NBR 70SH	1,00			--
0040	GUGO12183	N/A	O-RING D. 23.4 X 3.53 VIT 70SH	1,00			--
0041	RCGR08070	N/A	ADJUSTER PRT	1,00			--
0042	VTRS00542	N/A	WASHER D.14X20	1,00			--
0043	MLML08068	N/A	SPRING D.1,5 L.23	1,00			--
0044	MPVR89078	N/A	PLATE P190 PA6 BL.	2,00			--
0045	MPVR40516	N/A	TANK COVER P190-35 PA6 BL.	1,00			--
0046	MEPD45940	N/A	DESCALING PUMP NME 1 24V 50/60HZ	1,00			--
0047	RCVR49974	N/A	RING NUT 3/4" X 4 NIK	1,00		31/10/2023	--
0048	TBBP40105	N/A	L.P. HOSE D.12-17 CRISTALL	0,08	15/06/2016	31/10/2023	--
0049	RCDS46072	N/A	VALVE BODY N/R 1/4F-1/4 P176 OT	1,00			--
0050	MLML21505	N/A	SPRING D. 8 X5 X0,3	1,00			--
0051	SFVR04274	N/A	BALL D. 7/32	1,00			--
0052	GUGO01055	N/A	O-RING D. 5.28 X 1.78 VIT 70SH	1,00			--
0053	GUGO01036	N/A	O-RING D. 10.82 X 1.78 NBR 70SH	1,00			--
0054	RCDS10546	N/A	VALVE SEAT 1/4M + PG. D.3-7.5 OTT	1,00			--
0055	RCVR40154	N/A	HOSE FITTING PPL D.19 -G.1/2M	1,00			--
0056	GUGO40060	N/A	GASKET D. 21.0-33 X 2.5 EPDM	2,00			--
0057	MPVR40705	N/A	WATER TANK PW-H28 PEHD NT.	1,00			--
0058	MPVR40741	N/A	WATER NOZZLE PW-H28 D. 6 PVC	1,00			--
0059	GUGO01060	N/A	O-RING D. 9.92 X 2.62 NBR 70SH	1,00			--
0060	RCVR02606	N/A	REDUCTION 1/2-1/4 M/F	1,00			--
0061	FVSR00431	N/A	CLAMP D. 16-25	1,00			--
0062	TBBP40086	N/A	L.P. HOSE L=290 3/4F 90° -LIB.19X26	1,00			--
0065	TBBP00058	N/A	L.P. HOSE D. 4- 7	0,90			--
0069	PVVR40273	N/A	ADAPTER VRF-2 RG.	1,00			--
0070	MPVR41241	N/A	BLACK KNOB VRF-2 IPC	1,00			--
0071	RCDS40172	N/A	SCREW 3/8 VRF-2 OT 4F.	1,00			--
0072	VTRS00548	N/A	WASHER D.17,5X23X1,5 (3/8)RM	1,00			--
0073	GUGO03510	N/A	O-RING D. 12.37 X 2.62 NBR 70SH	2,00			--
0074	RCDS40171	N/A	SCREW G 1/2 VRF-2 OT. 2F.	1,00			--
0075	VTRS00549	N/A	WASHER D.21,5X27X1,5 (1/2) RM	1,00			--
0076	GUGO01048	N/A	O-RING D. 15.88 X 2.62 NBR 70SH	2,00			--
0081	VTRS00548	N/A	WASHER D.17,5X23X1,5 (3/8)RM	1,00			--
0090	GUGO40115	N/A	GASKET 164X 81X3 EPDM-60	1,00	01/12/2020		--



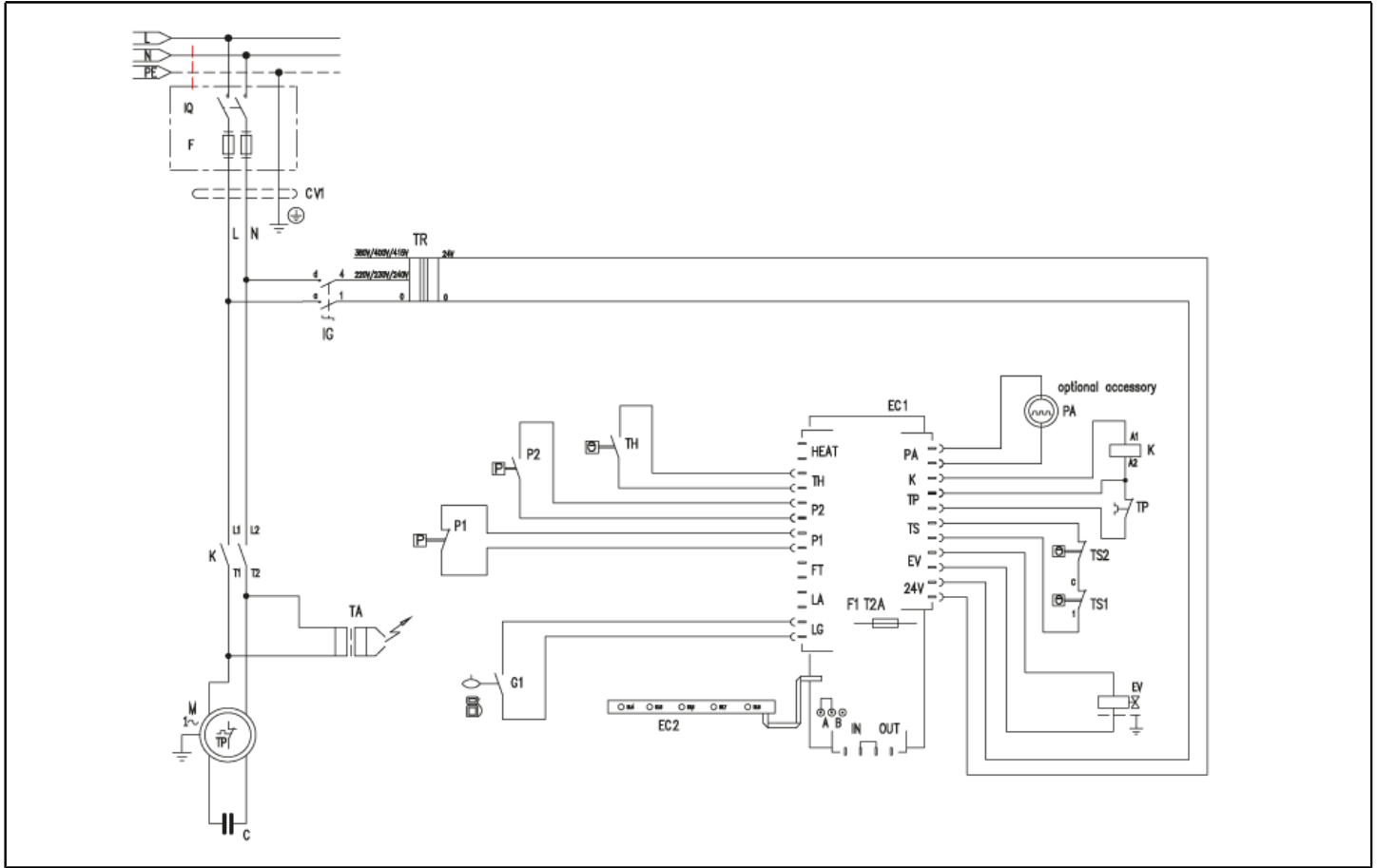
Ref. Part N.	Part N. 2	Description	Reference	Price
KTRI40482		KIT P 14- 65 PW-H28 200b.	0010 0010 0013 0014 0015 0017 0018 0019	--



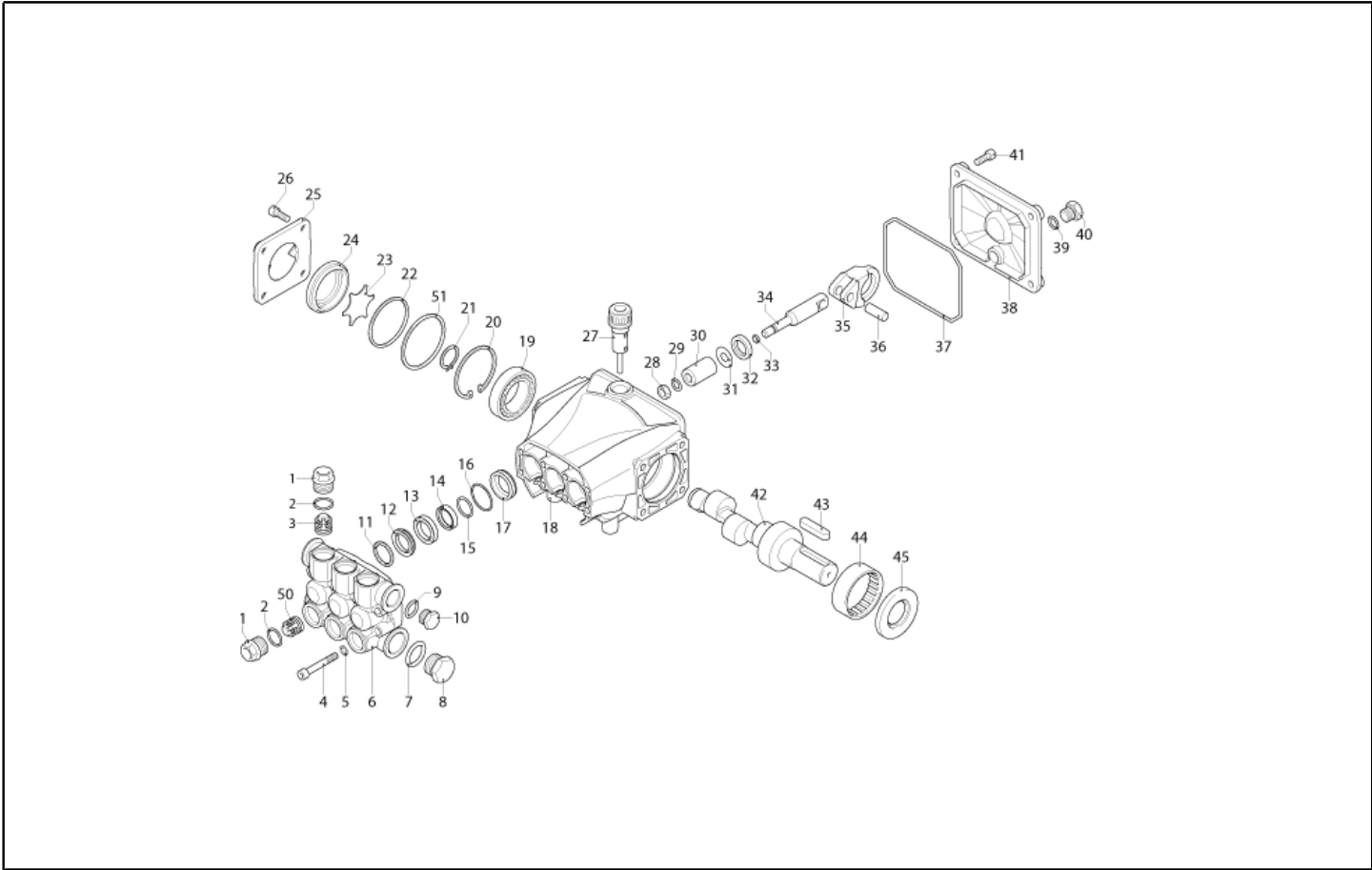
Ref. K	Part N.	Part N. 2	Description	Quantity	Validity		Price
					From	To	
0001	RCDS40208	N/A	RING NUT M 27 X 1,5 ZC	2,00			--
0002	GUGO40059	N/A	O-RING D. 16 X 4 VIT 70SH	2,00			--
0003	GUVR21021	N/A	ANTI-EXTR.RING D. 21 X17 TEF.	2,00			--
0004	LAFN48448	N/A	BOILER BOTTOM KSM 2V. ZN	1,00			--
0005	ITTE48373	N/A	BOTTOM KSM C.TE	1,00			--
0006	LAFN20108	N/A	RING D.298 KSM	1,00			--
0007	TBBP00123	N/A	TUBE RILSAN D. 2- 4 NT.	0,57			--
0008	LAFN48368	N/A	BAND KSM 2V. INX	1,00			--
0009	MECV35334	N/A	CABLE A.T. 9.8-23KOHM/M L= 400P	2,00			--
0010	LAGR40031	N/A	DOUBLE COIL M27X1.5 H28 26MT. SP.2.35	1,00			--
0011	LAFN40593	N/A	EXT. CYLINDER MPU-26/4P INX	1,00			--
0012	LAFN40575	N/A	INT. CYLINDER MPU-26 CP.INX	1,00			--
0013	LAFN40711	N/A	BOILER COVER SI MPU.150 INX	1,00			--
0014	LAFN40580	N/A	BOILER COVER SE MPU INX	1,00			--
0015	MECB34463	N/A	CABLE BT L=800 SP. FD	1,00			--
0016	GUVR25775	N/A	GASKET D. 105/88 X 3	1,00			--
0017	LAFN20055	N/A	NOSEPIECE KSM	1,00			--
0018	LAFN30294	N/A	BAFFLE KSM/AGN	1,00			--
0019	UGBR18630	N/A	BURNER NOZZLE 0.75 45 A	1,00			--
0020	MFVR88612	N/A	ELECTR.HOLDER KSM 1/8CN.	1,00			--
0021	RCVR40228	N/A	CONNECTOR L 1/8" M D. 4 +OR NBR N	1,00			--
0022	VTRS07941	N/A	WASHER D.11.3X15X1.5 RM	2,00			--
0023	MECA18232	N/A	ELECTRODE L=101.5 KSM	2,00			--
0024	LAFN20123	N/A	PLATE KSM INX	1,00			--



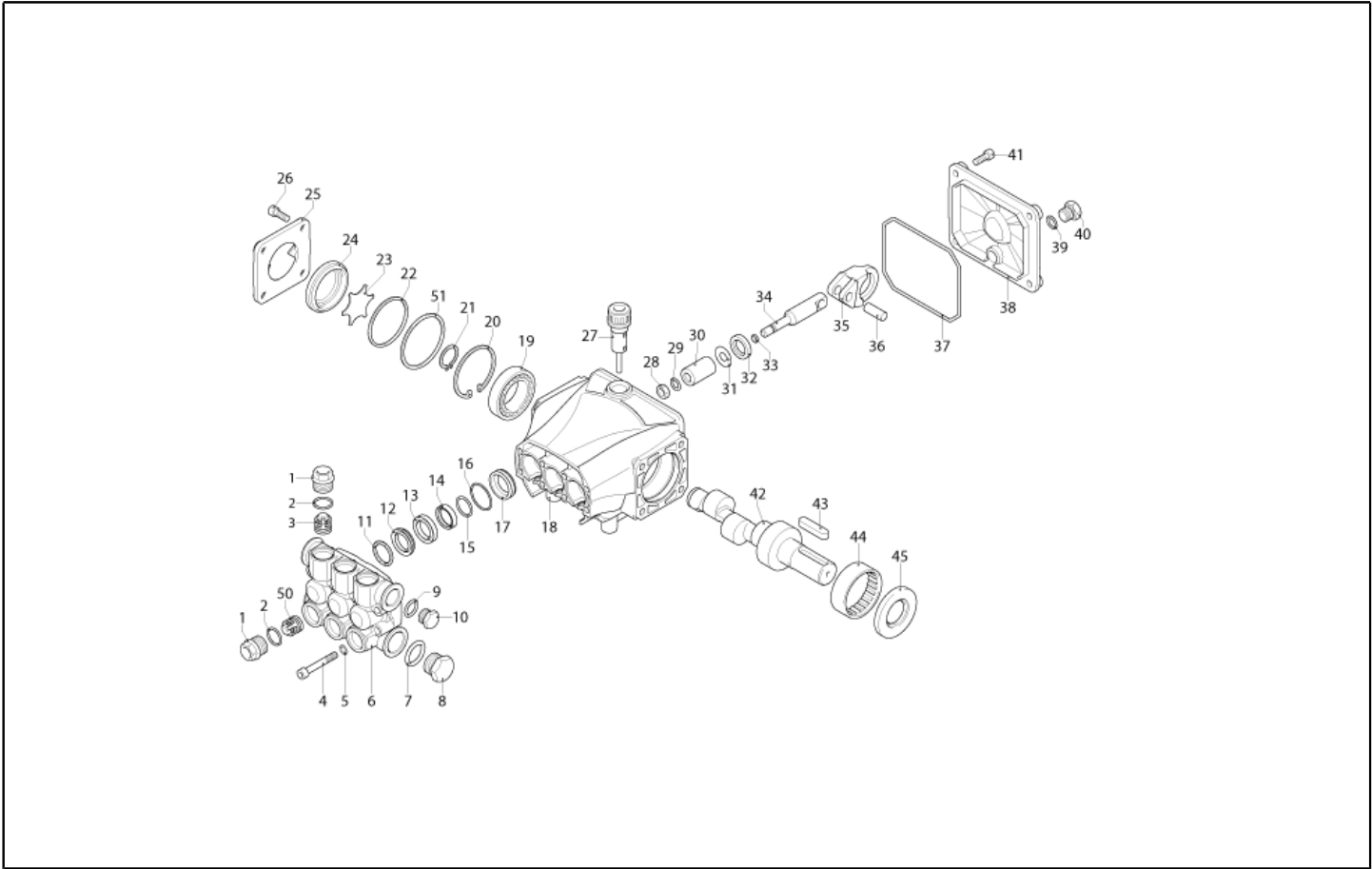
Ref. K	Part N.	Part N. 2	Description	Quantity	Validity		Price
					From	To	
0001	MPVR40042	N/A	CONVEYOR P190-176 PA6 BK.	1,00			--
0002	GUGO88425	N/A	GASKET P245 EPDM	1,00			--
0003	MPVR45488	N/A	SCROLL BODY P176 PP	1,00			--
0004	MPVR45445	N/A	BUTTERFLY VALVE P176 PP	1,00			--
0005	VEVR45443	N/A	MOTOR FAN P176 H 100	1,00			--
0006	LAFN45783	N/A	BUSHING D. 30 P176	1,00			--
0007	MPVR45444	N/A	SEPARATOR P176 ABS	1,00			--
0008	VTVR45002	N/A	BUSHING D. 17-19X19 CPS.	1,00			--
0009	VTAE33647	N/A	CIRCLIP D. 19 UNI 7435	1,00			--
0010	VEVR88781	N/A	IMPELLER P176 D.240 43P. 2V. PA6	1,00			--
0011	VTVR20127	N/A	CLIP KSM	8,00			--
0012	MPVR48498	N/A	VENTILATOR COV. P190-V176 ABS	1,00			--
0013	FGGT36513	N/A	JOINT HP 0.25 AACO	1,00			--
0014	PPGS49454	N/A	FUEL PUMP DLT ALLUM. A2R1	1,00			--
0015	TBCO06945	N/A	L.P. HOSE D. 6-12 10BAR C.PRESS	0,11			--
0016	RCVR72873	N/A	HOSE FITTING "L" 1/4M - D.7 OT.NK	1,00			--
0017	FSVR00427	N/A	CLAMP D. 12 CLIC 66-110	2,00			--
0018	TBCO06945	N/A	L.P. HOSE D. 6-12 10BAR C.PRESS	0,60			--
0019	FSVR11197	N/A	CLAMP D.12.9-13.6	2,00			--
0020	FTCO10912	N/A	FILTER FB 13/T NYL.	1,00			--
0021	RCVR40229	N/A	CONNECTOR DTT 1/8"M D. 4 +OR NBR N	1,00			--
0022	MECB41542	N/A	CABLE DLT L= 700	1,00			--
0023	RCVR40113	N/A	HOSE FITTING 1/8 M D. 5- 7 NIK	1,00			--
0024	LAFN48321	N/A	SPACER D. 24.5-30 L= 6.5 ZC	1,00			--
0027	VTRS49164	N/A	WASHER D.19 X26 X1 FE	1,00			--



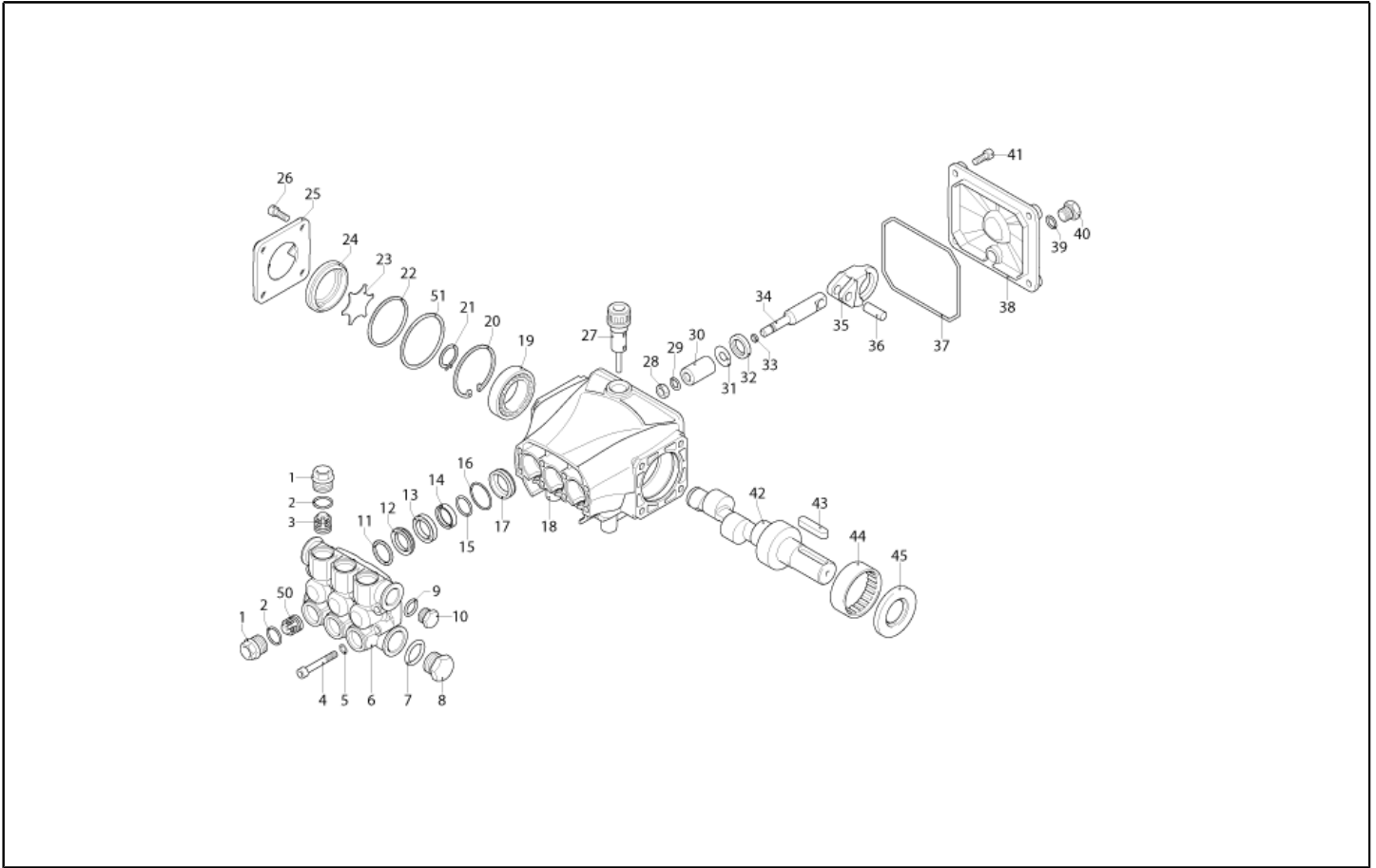
Ref. K	Part N.	Part N. 2	Description	Quantity	Validity		Price
					From	To	
C	MECO31458	N/A	CAPACITOR 70 MF 450V M8 50X118	1,00			--
K	METT40010	N/A	CONTACTOR SIE 3RT 2017-1AB01 24V	1,00			--
EV	MEBE48504	N/A	COIL DLT 24-50 NF84	1,00			--
G1	MECI40006	N/A	SENSOR LEVEL S1.PML.XD.FPJ FST.	1,00			--
IG	MECI40033	N/A	SWITCH GTK BP. 0-1 16(8)A	1,00			--
TA	METR88630	N/A	TRANSFORMER 23/240V-5/60HZ 2X26KV TR.	1,00			--
TH	METK40028	N/A	THERMOSTAT 40-110°C NT-133 IPC/2	1,00			--
TR	METR40018	N/A	TRANSFORMER 25VA 230-400/24 5/60HZ PM	1,00			--
CV1	MECB27734	N/A	CABLE H07 RNF 3X1.5 L=6.500	1,00			--
EC1	MECE40030	N/A	CABLE CLAMPING SHUNT 2.54	1,00			--
EC1	MECE40112	N/A	PCB PW T-SI/MP V.PL+CO-Lv H31	1,00			--
EC2	MECE40047	N/A	PCB LED PW 4/5 GR. FLT.H28	1,00			--
TS1	METK40025	N/A	THERMOSTAT 65°C SP-140 PT RIPR.	1,00			--
TS2	METK40021	N/A	THERMOSTAT 110°C TK24-T02 16A 250V	1,00			--
P1,2	MEPF40059	N/A	PRESSURE SWITCH PS2 G1/8M 25BAR	2,00			--



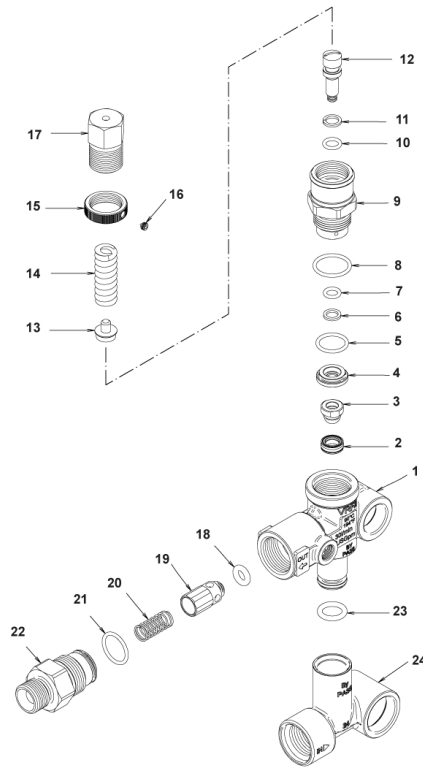
Ref. K	Part N.	Part N. 2	Description	Quantity	Validity		Price
					From	To	
0001	PVVR40120	N/A	CAP AR RC	6,00			--
0002	GUGO03505	N/A	O-RING D. 15.6 X 1.78 NBR 70SH	6,00			--
0003	S VVAM40002	N/A	VALVE UNIT RC	3,00	01/08/2012		--
0003	S VVAM40002	N/A	VALVE UNIT RC	6,00		31/07/2012	--
0004	VTVT06236	N/A	SCREW TCCE UNI 5931 6X40 ZB	8,00			--
0005	VTRS01077	N/A	WASHER D. 6.4X10X0,7	8,00			--
0006	MFVR40019	N/A	HEAD AR RC OT.	1,00			--
0007	GUGO19245	N/A	O-RING D. 17.5 X 2 NBR 70SH	1,00			--
0008	PVVR40121	N/A	CAP 1/2 M RC	1,00			--
0009	GUGO09720	N/A	O-RING D. 14 X 1.78 NBR 70SH	1,00			--
0010	PVVR40099	N/A	CAP 3/8 M HRM	1,00			--
0011	S PVVR40122	N/A	HEAD RING D. 18 RC	3,00			--
0012	S GUVR40035	N/A	PACKING D. 18 RC H.P.	3,00			--
0013	PVVR40123	N/A	INTERMED. RING D. 18 RC	3,00			--
0014	S GUVR40036	N/A	PACKING D. 18 RC L.P.	3,00			--
0015	S GUVR40037	N/A	ANTI-EXTR.RING D.21	3,00			--
0016	S GUGO08182	N/A	O-RING D. 21.91 X 1.78 NBR 70SH	3,00	01/04/2014		--
0016	S GUGO19290	N/A	O-RING D. 23.52 X 1.78 NBR 70SH	3,00		31/03/2014	--
0017	PVVR40124	N/A	PACKING RETAIN. D. 18 RC	3,00			--
0018	MFVR40020	N/A	PUMP CRANKCASE AR RC	1,00		31/03/2014	--
0018	MFVR40027	N/A	PUMP CRANKCASE AR RCS	1,00	01/04/2014		--
0019	CUVR28336	N/A	BALL BEARING 6304	1,00			--
0020	VTAE09661	N/A	CIRCLIP D. 52 UNI 7437	1,00			--
0021	VTAE06193	N/A	CIRCLIP D. 20 UNI 7435	1,00			--
0022	GUGO02561	N/A	O-RING D. 47.3 X 2.62 NBR 70SH	1,00			--
0023	PVVR40125	N/A	DISC RC	1,00		31/03/2016	--
0023	PVVR40472	N/A	OIL INDICATOR RC CPL.	1,00	01/04/2016		--
0024	PVVR40126	N/A	OIL INDICATOR RC	1,00		31/03/2016	--
0025	MFVR40021	N/A	CRANKASE COVER AR RC LT.	1,00			--
0026	VTVT01531	N/A	SCREW TE 6X 16 UNI 5739	4,00			--
0027	PVVR19231	N/A	OIL CAP XTS	1,00		31/03/2014	--
0027	PVVR40436	N/A	OIL CAP RC	1,00	01/04/2014		--
0028	VTDD00483	N/A	NUT M 8 ZIN UNI 5588	3,00			--
0029	VTRS19394	N/A	WASHER D. 8X13X0,5	3,00			--
0030	S PIVR40005	N/A	PISTON D.18X30 RC	3,00			--
0031	PVVR19233	N/A	DISC XTS	3,00			--
0032	S GUGO09690	N/A	OIL SEAL 15X 24X 5 NBR70	3,00			--
0033	GUGO08071	N/A	O-RING D. 4.48 X 1.78 NBR 70SH	3,00			--
0034	PVVR40127	N/A	PISTON GUIDE RC	3,00			--
0035	BLVR40001	N/A	CONNECTING ROD RC	3,00			--
0036	PVVR40128	N/A	GUDGEON D. 9X23 RC	3,00			--
0037	GUGO18695	N/A	O-RING D. 101.27 X 2.62 NBR 70SH	1,00			--
0038	MFVR40022	N/A	CRANKASE COVER AR RC	1,00			--
0039	GUGO01036	N/A	O-RING D. 10.82 X 1.78 NBR 70SH	1,00			--



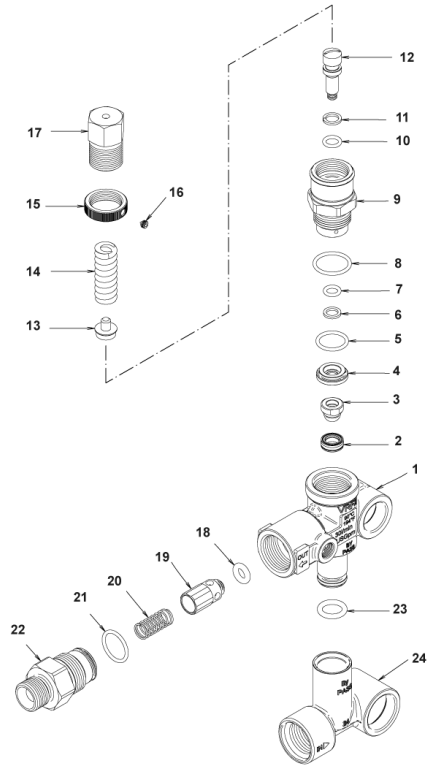
Ref. K	Part N.	Part N. 2	Description	Quantity	Validity		Price
					From	To	
0040	PVVR40129	N/A	CAP 1/4 M RC	1,00			--
0041	VTVT09913	N/A	SCREW TCEI 6X16 UNI5931	4,00			--
0042	ALMO40030	N/A	SHAFT AR RCS 10LT VRS. ND	1,00			--
0043	VTVR41531	N/A	KEY 8X 7X35 UNI 6604A	1,00			--
0044	CUVR23636	N/A	ROLLER BEARING HK 4516	1,00			--
0045	S GUGO00999	N/A	OIL SEAL 25X 52X 7 NBR70	1,00			--
0050	S VVAM40007	N/A	VALVE UNIT RC ASP. BK	3,00	01/08/2012		--
0051	PVVR40437	N/A	RING D. 51.8 X0.5	1,00	01/04/2014		--



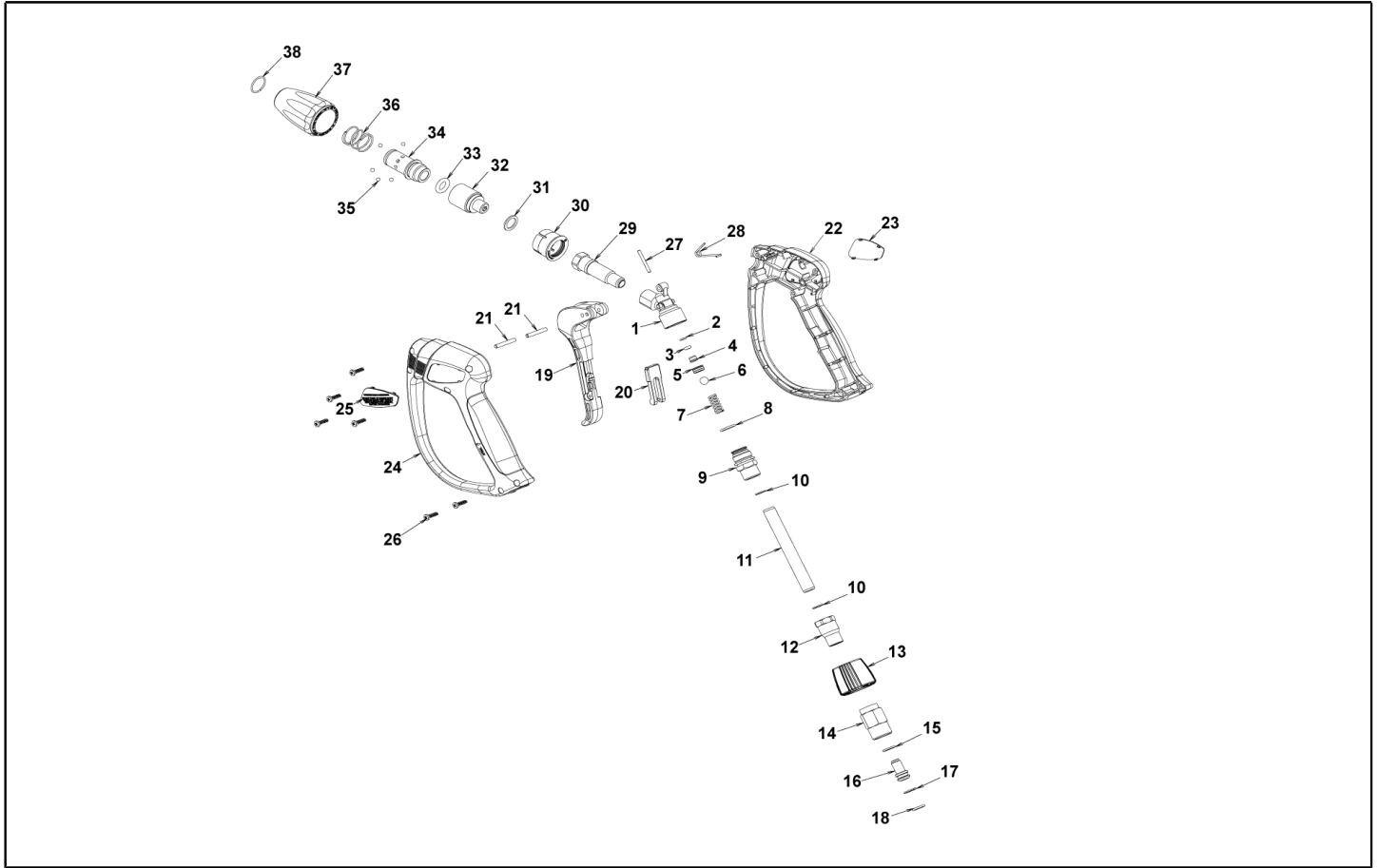
Ref. Part N.	Part N. 2	Description	Reference	Price
KTRI40092		KIT P 15-2186 RC	0003	--
KTRI40093		KIT P 15-42917 RC	0030	--
KTRI40094		KIT P 15-42919 D.18 RC	0012 0014 0015 0016	--
KTRI40095		KIT P 15-42903 D.18 RC	0011	--
KTRI40096		KIT P 15-42918 RC	0032 0045	--
KTRI40207		KIT P 15-42914 RC 3+3 BL./WH.	0003 0050	--



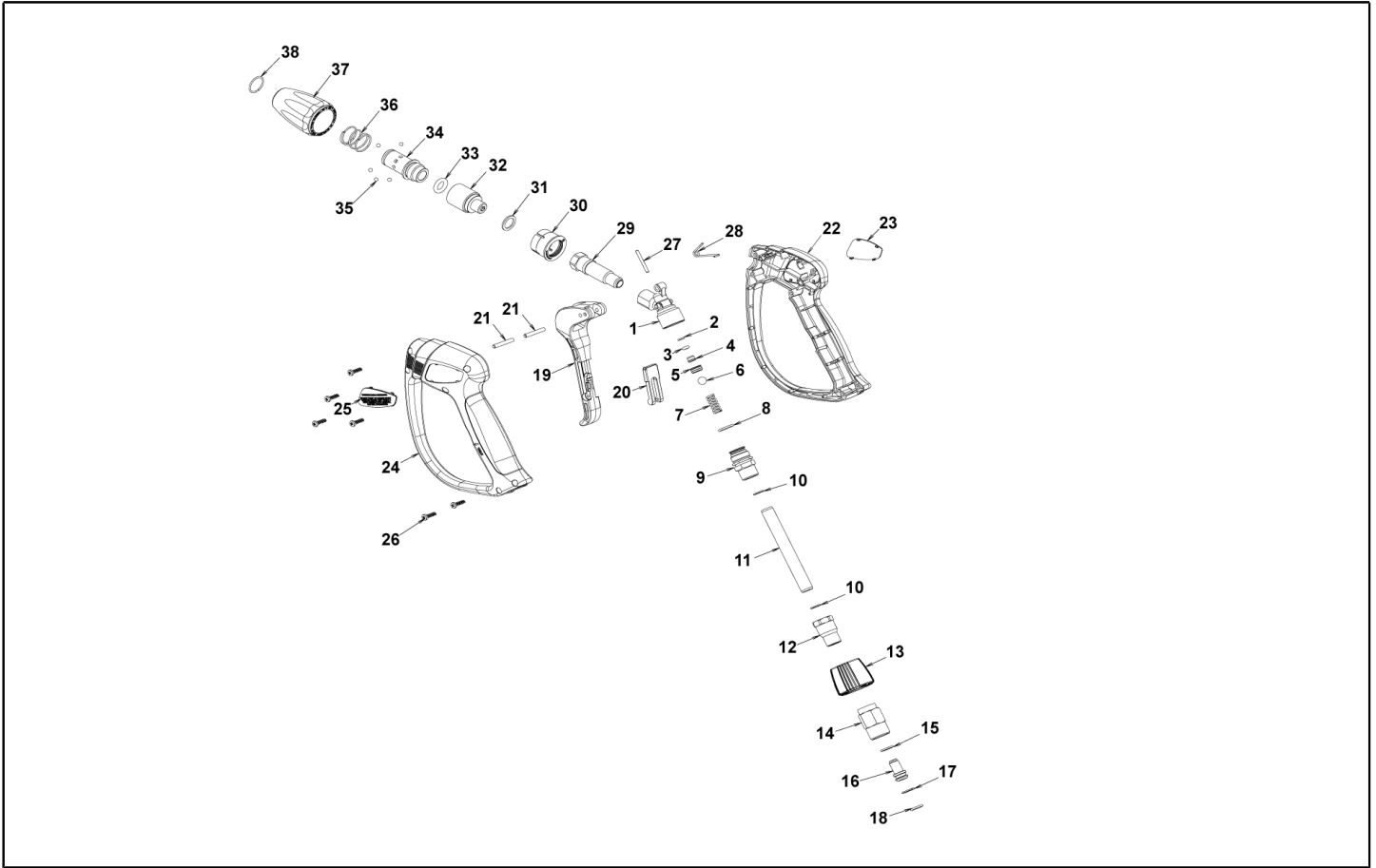
Ref. K	Part N.	Part N. 2	Description	Quantity	Validity		Price
					From	To	
0001	PVVR40375	N/A	VALVE BODY VRF2 +G1/8 F	1,00			--
0002	S PVVR40363	N/A	VALVE SEAT MV124 +OR	1,00			--
0003	S PVVR40364	N/A	COUPLING MV124	1,00			--
0004	S PVVR40365	N/A	SPACER MV124	1,00			--
0005	S GUGO12322	N/A	O-RING D. 14 X 1.78 NBR 90SH	1,00			--
0006	S GUVR40072	N/A	ANTI-EXTR.RING D. 6.5X 9.4	1,00			--
0007	S GUGO83861	N/A	O-RING D. 6.07 X 1.78 NBR 90SH	1,00			--
0008	S GUGO24913	N/A	O-RING D. 17.17 X 1.78 NBR 90SH	1,00			--
0009	S PVVR40366	N/A	CONNECTOR VRF2 D.10	1,00			--
0010	S GUGO03500	N/A	O-RING D. 6.75 X 1.78 NBR 70SH	1,00			--
0011	S GUVR40073	N/A	ANTI-EXTR.RING D. 7.1X10 X1.2 TBT	1,00			--
0012	S PVVR40367	N/A	SMALL PISTON D.10 VRF2	1,00			--
0013	PVVR40368	N/A	SPRING PLATE MV124 25B	1,00			--
0014	MLML40027	N/A	SPRING D. 3.0/6.0 X38.85	1,00			--
0015	PVVR40369	N/A	RING NUT MV167.09	1,00			--
0016	VTVT89696	N/A	SCREW EI-ST 4X 4 UNI5927 ZC	1,00			--
0017	PVVR40370	N/A	CAP VRF2 M18X1	1,00			--
0018	S GUGO46053	N/A	O-RING D. 6 X 3 NBR 90SH	1,00			--
0019	S PVVR40349	N/A	COUPLING VRT3	1,00			--
0020	S MLML40026	N/A	SPRING VRT3	1,00			--
0021	S GUGO12321	N/A	O-RING D. 15.6 X 1.78 NBR 90SH	1,00			--
0022	PVVR40525	N/A	CONNECTOR VRT3 G 3/8M	1,00			--
0023	GUGO11225	N/A	O-RING D. 10.78 X 2.62 NBR 70SH	1,00			--
0024	PVVR40373	N/A	CONNECTOR VRF2.24	1,00			--



Ref. Part N.	Part N. 2	Description	Reference	Price
KTRI40236		KIT P 14-103 VRF2	0002 0003 0004 0005 0006 0007 0008 0009 0010 0011 0012 0018 0019 0020 0021	--
KTRI40237		KIT P 14-104 SET GUARNIZIONI	0002 0003 0005 0006 0007 0008 0010 0011 0018 0021	--



Ref. K	Part N.	Part N. 2	Description	Quantity	Validity		Price
					From	To	
0001	PVVR40381	N/A	GUN BODY G 5100 G1/4F	1,00			--
0002	S GUVR40074	N/A	ANTI-EXTR.RING D. 3 X 7.4X1.3	1,00			--
0003	S GUGO21835	N/A	O-RING D. 2.84 X 2.62 VIT. 80SH	1,00			--
0004	PVVR40382	N/A	PISTON GUIDE G 5100	1,00			--
0005	S PVVR40563	N/A	BALL SEAT AL36 G6000 + OR	1,00			--
0006	S SFVR40004	N/A	BALL D. 5/16" ALL.GR16	1,00			--
0007	MLML40047	N/A	SPRING D. 9.4 x23.5x1.6 G6000	1,00			--
0008	GUGO12322	N/A	O-RING D. 14 X 1.78 NBR 90SH	1,00			--
0009	PVVR40383	N/A	CONNECTOR COLL.G5100 1/4F	1,00			--
0010	VTRS40017	N/A	WASHER D. 8,2X11,4X1,00	2,00			--
0011	PVVR40384	N/A	TUBE G 1/4" L.105	1,00			--
0012	RCIN40022	N/A	CONNECTOR SWIV G5100 1/4F	1,00			--
0013	MPVR40967	N/A	RING NUT G 6000 SW. GR.	1,00			--
0014	RCIN40021	N/A	JOINT SWIV 5100 M22	1,00			--
0015	S GUVR40075	N/A	ANTI-EXTR.RING D. 10 X14X1.5	1,00			--
0016	PVVR40386	N/A	SCREW SW. G 5100	1,00			--
0017	S GUVR40076	N/A	ANTI-EXTR.RING D. 11.2X14X1.2	1,00			--
0018	S GUGO15295	N/A	O-RING D. 10.82 X 1.78 VIT 75SH	1,00			--
0019	MPVR40820	N/A	TRIGGER G 6000-SW	1,00			--
0020	MPVR40821	N/A	SAFETY-DEVICE G 6000-SW	1,00			--
0021	VTVR40047	N/A	PLUG D. 4X29	2,00			--
0022	MPVR40822	N/A	SHELL G 6000-SW DX	1,00			--
0023	MPVR40968	N/A	PLATE G 6000/2 GR.DX	1,00			--
0024	MPVR40824	N/A	SHELL G 6000-SW SX	1,00			--
0025	MPVR40825	N/A	PLATE G 6000 GR.SX	1,00			--
0026	VTVT40043	N/A	SCREW AF 4X 14 HILO ZN.N	6,00			--
0027	PVVR40564	N/A	SMALL PISTON G 6000 AL36 SP.	1,00			--
0028	MLML40029	N/A	SPRING G 5100	1,00			--
0029	PVVR40521	N/A	CONNECTOR AL55 G1/4F	1,00			--
0030	MPVR40856	N/A	PROTECTION AR 4	1,00			--
0031	VTRS48089	N/A	WASHER D.13,5X18 X1,5 RM.	1,00			--
0032	PVVR40522	N/A	CONNECTOR AR 4 G1/4 M OT	1,00			--
0033	GUGO40079	N/A	O-RING D. 11 X 4 VIT 75SH	1,00			--
0034	PVVR40523	N/A	JOINT BODY AR 4 OT	1,00			--
0035	SFVR40003	N/A	BALL D.5/32" AISI 420C I.3290	8,00			--
0036	MLML40043	N/A	SPRING D. 23 X24.0 D.1.4 IX	1,00			--
0037	PVVR40524	N/A	KNOB AR 4 INS.OT	1,00			--
0038	VTAE40010	N/A	CIRCLIP D.18 -D.1.5 AR 4	1,00			--



Ref. Part N.	Part N. 2	Description	Reference	Price
KTRI40243		KIT P 26- 26 SWIVEL G 5100	0015 0017 0018	--
KTRI40513		KIT P 26- 36 G 6000/II	0002 0003 0005 0006	--